

# NanQue®



## DZ47-63D

Miniature Circuit Breaker

*New Direction*

## Miniature Circuit Breaker

### DZ47-63D

#### Product Introduction

DZ47-63D high breaking miniature circuit breaker is mainly suitable for AC 50/60Hz, rated working voltage 230V/400V and below, rated current up to 63A circuit. The circuit breaker is composed of plastic shell, operating mechanism, contact arc extinguishing system, tripping mechanism and so on. The shell is made of special plastic with high flame retardancy and high strength, which has strong impact resistance and light weight.

Circuit breakers are mainly used for overload and short-circuit protection of lighting, distribution lines and equipment in office buildings, residential buildings and similar buildings. They can also be used for infrequent switching of lines under normal conditions. This product complies with IEC60898, IEC60947 and GB10963 and other standard requirements.

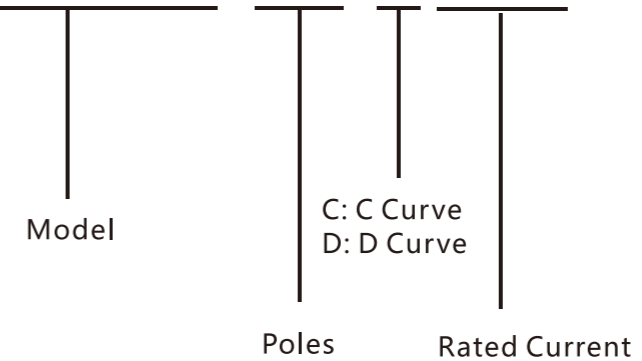


#### Protection and functions:

- Short circuit protection
- Overload protection (overcurrent protection)
- Isolation function
- Auxiliary control function

#### Model Meaning

### DZ47-63D-1P-C10A



# Miniature Circuit Breaker

## DZ47-63D

### Technical Parameters

Model	DZ47-63D
Electrical characteristics	
Poles	1P, 2P, 3P, 4P
Rated current Ie (A)	6, 10, 16, 20, 25, 32, 40, 50, 63
Rated voltage Ue (V)	AC230(1P, 2P), AC400(2P, 3P, 4P)
Rated insulation voltage Ui (V)	500
Rated impulse withstand voltage Uimp (kV)	4
Rated residual working current (mA)	-
Residual current characteristics	-
Rated short-circuit breaking capacity Icn (kA)	6
Trip curve	C(5In~10In), D(10In~14In)
Mechanical characteristics	
Electrical life	10000
Mechanical life	20000
Pollution level	2
Normal operating conditions and installation characteristics	
Terminals	Screw crimp
Maximum wiring capacity (mm <sup>2</sup> )	25
Maximum ultimate torque (Nm)	2.5
Installation category	II, III
Wiring	Can be wired top and bottom
Accessories can be installed	OF (auxiliary), MX (shunt excitation), SD (alarm), MV (overvoltage), MN (undervoltage), MX+OF (shunt excitation + auxiliary), MV+MN (overvoltage and undervoltage)

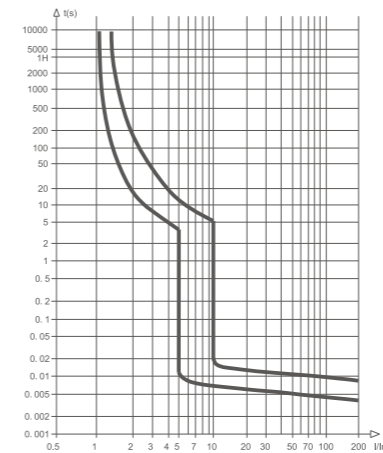
# Miniature Circuit Breaker

## DZ47-63D

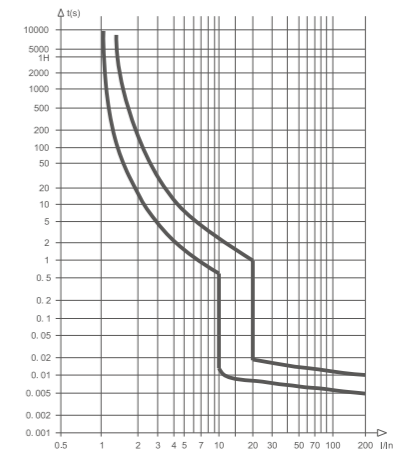
### Normal Working Conditions

- Ambient air temperature: - 30°C~ +70°C
- The relative humidity of the air is not more than 95%
- The inclination to the vertical plane does not exceed 5°
- A place without significant shaking and shock vibration
- In a non-explosive medium, and there is no gas and dust (including conductive dust) in the medium that is sufficient to corrode metals and damage insulation

### Tripping Characteristic Curve



C Curve



D Curve

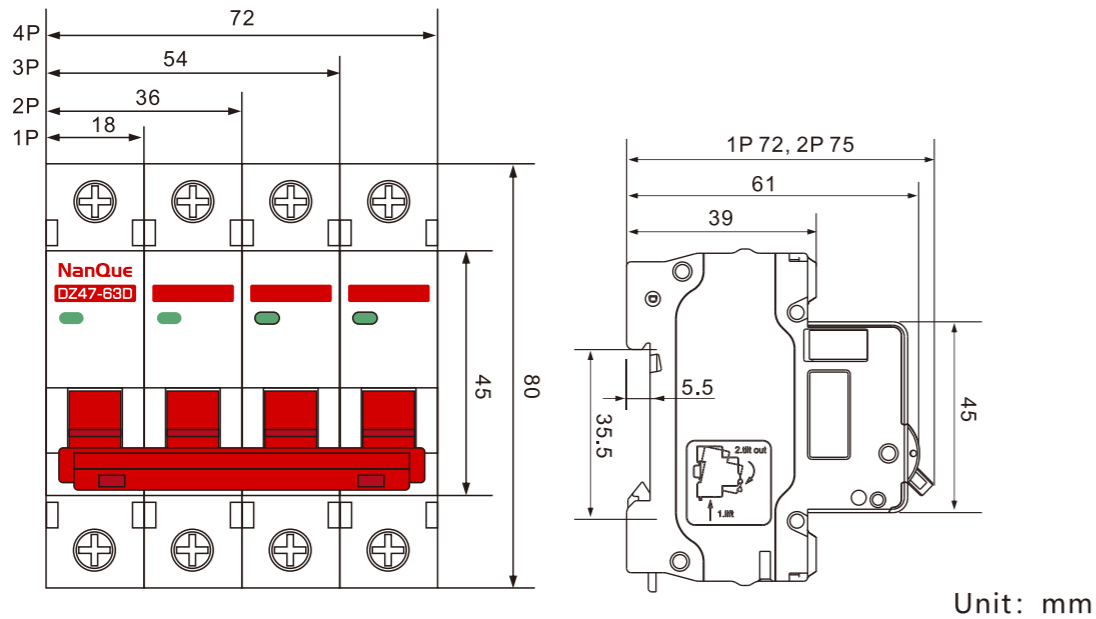
### Different ambient temperature current correction coefficient

Ambient temperature°C	-30	-20	-10	0	10	20	30	40	50	60	70
Current correction factor	1.3	1.25	1.2	1.15	1.1	1.05	1	0.95	0.9	0.85	0.8

### Product Size

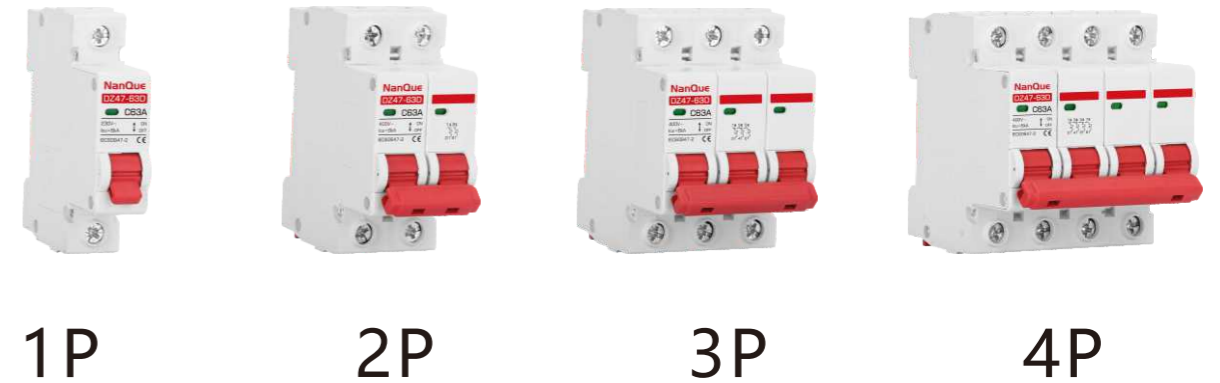
# Miniature Circuit Breaker

## DZ47-63D



## Appendix I

### Product selection datasheet



### Connecting Cable

Current	Recommended cable cross-sectional area	Maximum Wiring Capacity
1~6A	1mm <sup>2</sup>	25mm <sup>2</sup>
10A	1.5mm <sup>2</sup>	
16~20A	2.5mm <sup>2</sup>	
25A	4mm <sup>2</sup>	
32A	6mm <sup>2</sup>	
40~50A	10mm <sup>2</sup>	
63A	16mm <sup>2</sup>	

### Order Introduction

1. The user should indicate the product model, tripping type, rated current, number of poles, accessories and quantity of the circuit breaker when ordering.
2. For example: DZ47-63D circuit breaker 2P C63A 200 pieces.
3. If the user has special requirements, such as customized printing, it can be negotiated separately.

Product Model	Poles	Voltage	Current	Order Code	Customized
DZ47-63D	1P	AC230V	1A	NQPD-0102-1PAC2001	YES
	1P	AC230V	2A	NQPD-0102-1PAC2002	YES
	1P	AC230V	3A	NQPD-0102-1PAC2003	YES
	1P	AC230V	4A	NQPD-0102-1PAC2004	YES
	1P	AC230V	5A	NQPD-0102-1PAC2005	YES
	1P	AC230V	6A	NQPD-0102-1PAC2006	NO
	1P	AC230V	10A	NQPD-0102-1PAC2007	NO
	1P	AC230V	16A	NQPD-0102-1PAC2008	NO
	1P	AC230V	20A	NQPD-0102-1PAC2009	NO
	1P	AC230V	25A	NQPD-0102-1PAC2010	NO
	1P	AC230V	32A	NQPD-0102-1PAC2011	NO
	1P	AC230V	40A	NQPD-0102-1PAC2012	NO
	1P	AC230V	50A	NQPD-0102-1PAC2013	NO
	1P	AC230V	63A	NQPD-0102-1PAC2014	NO
	2P	AC400V	1A	NQPD-0102-2PAC2001	YES
	2P	AC400V	2A	NQPD-0102-2PAC2002	YES
	2P	AC400V	3A	NQPD-0102-2PAC2003	YES
	2P	AC400V	4A	NQPD-0102-2PAC2004	YES
	2P	AC400V	5A	NQPD-0102-2PAC2005	YES
	2P	AC400V	6A	NQPD-0102-2PAC2006	NO
	2P	AC400V	10A	NQPD-0102-2PAC2007	NO
	2P	AC400V	16A	NQPD-0102-2PAC2008	NO
	2P	AC400V	20A	NQPD-0102-2PAC2009	NO
	2P	AC400V	25A	NQPD-0102-2PAC2010	NO

DZ47-63D	2P	AC400V	32A	NQPD-0102-2PAC2011	NO
	2P	AC400V	40A	NQPD-0102-2PAC2012	NO
	2P	AC400V	50A	NQPD-0102-2PAC2013	NO
	2P	AC400V	63A	NQPD-0102-2PAC2014	NO
	3P	AC400V	1A	NQPD-0102-3PAC2001	YES
	3P	AC400V	2A	NQPD-0102-3PAC2002	YES
	3P	AC400V	3A	NQPD-0102-3PAC2003	YES
	3P	AC400V	4A	NQPD-0102-3PAC2004	YES
	3P	AC400V	5A	NQPD-0102-3PAC2005	YES
	3P	AC400V	6A	NQPD-0102-3PAC2006	NO
	3P	AC400V	10A	NQPD-0102-3PAC2007	NO
	3P	AC400V	16A	NQPD-0102-3PAC2008	NO
	3P	AC400V	20A	NQPD-0102-3PAC2009	NO
	3P	AC400V	25A	NQPD-0102-3PAC2010	NO
	3P	AC400V	32A	NQPD-0102-3PAC2011	NO
	3P	AC400V	40A	NQPD-0102-3PAC2012	NO
	3P	AC400V	50A	NQPD-0102-3PAC2013	NO
	3P	AC400V	63A	NQPD-0102-3PAC2014	NO
	4P	AC400V	1A	NQPD-0102-4PAC2001	YES
	4P	AC400V	2A	NQPD-0102-4PAC2002	YES
	4P	AC400V	3A	NQPD-0102-4PAC2003	YES
	4P	AC400V	4A	NQPD-0102-4PAC2004	YES
	4P	AC400V	5A	NQPD-0102-4PAC2005	YES
	4P	AC400V	6A	NQPD-0102-4PAC2006	NO
	4P	AC400V	10A	NQPD-0102-4PAC2007	NO
	4P	AC400V	16A	NQPD-0102-4PAC2008	NO
	4P	AC400V	20A	NQPD-0102-4PAC2009	NO
	4P	AC400V	25A	NQPD-0102-4PAC2010	NO
	4P	AC400V	32A	NQPD-0102-4PAC2011	NO
	4P	AC400V	40A	NQPD-0102-4PAC2012	NO
	4P	AC400V	50A	NQPD-0102-4PAC2013	NO
	4P	AC400V	63A	NQPD-0102-4PAC2014	NO

Remark:

- 1, "Customized products" (gray marked), cannot be ordered directly, you need to determine the quantity, price and order cycle before ordering,
- 2, Customized products does not support returns and exchanges.