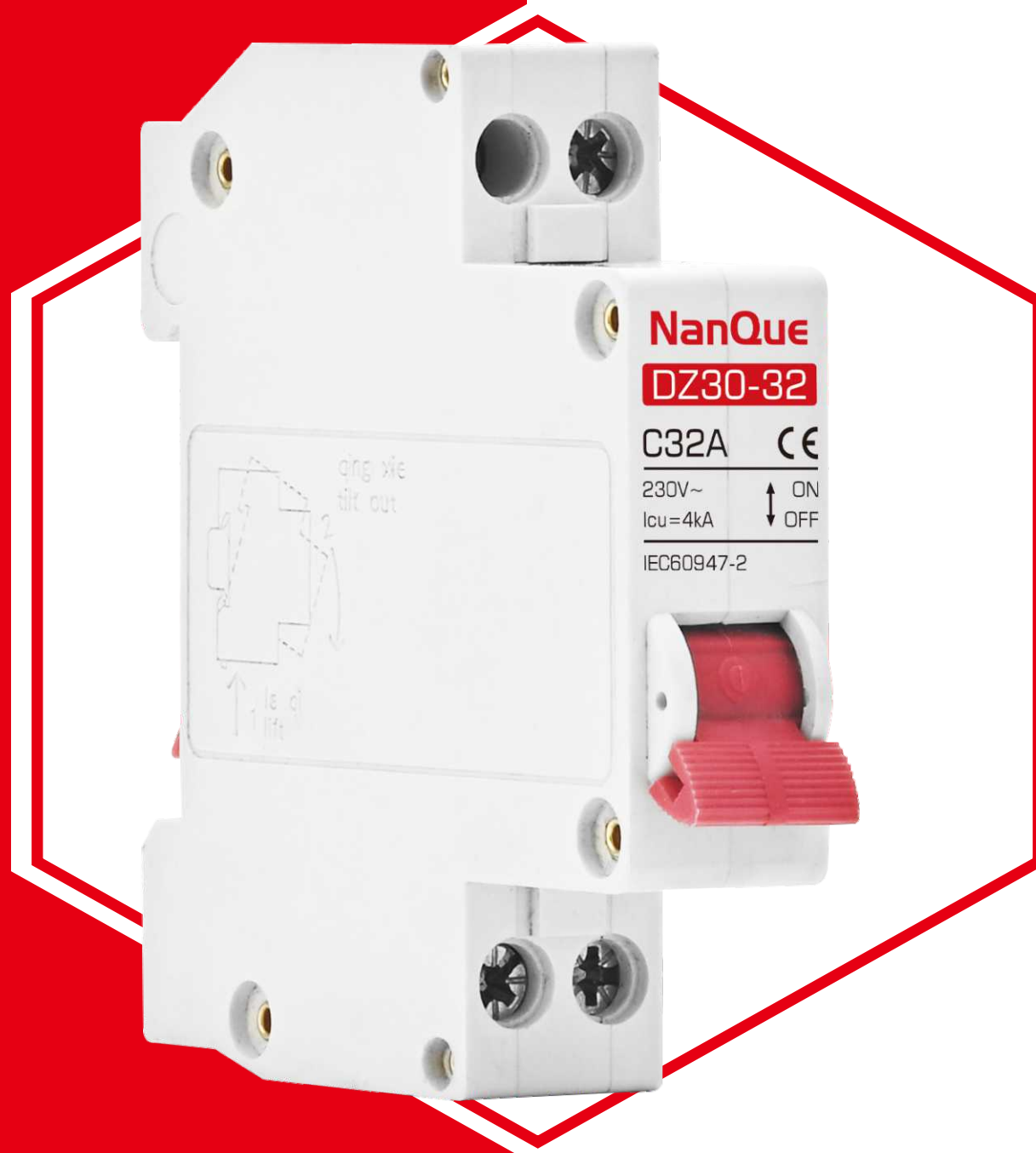


NanQue®



DZ30-32

Miniature Circuit Breaker

New Direction

Miniature Circuit Breaker DZ30-32

Product Introduction

DZ30-32 (DPN) miniature circuit breaker "phase line + neutral line" circuit breaker is suitable for 50Hz or 60Hz, rated voltage in 230V single-phase residential line, to protect the overload and short circuit of electrical circuit, the breaking capacity of this product High, small size, width 18mm. The zero and live wires are cut off at the same time, which eliminates the personal and fire hazards caused by the live and neutral wires being reversed or neutral wires. It is the most ideal power distribution protection switch in the field of residential buildings.

This product meets the requirements of IEC60947-2 and IEC60898 standards

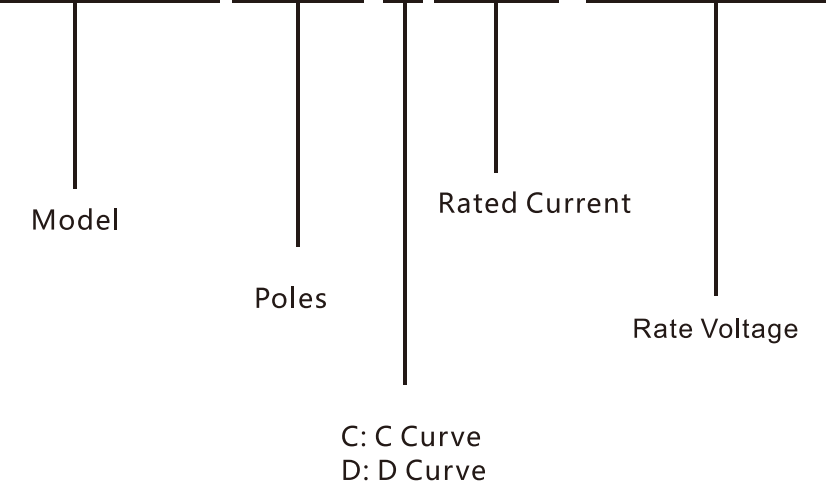


Protection and functions:

- Short circuit protection
- Overload protection (over-current protection)
- Circuit maintenance Isolation function
- Auxiliary control function

Model Meaning

DZ30-32-1PN-C32A-AC230V



C: C Curve
D: D Curve

Miniature Circuit Breaker

DZ30-32

Technical Parameters

Model	DZ30-32
Electrical characteristics	
Poles	1P+N (N pole can be opened or closed)
Rated current I _e (A)	6A, 10A, 16A, 20A, 25A, 32A
Rated voltage U _e (V)	AC230V, AC110V
Rated insulation voltage U _i (V)	500
Rated short-circuit breaking capacity I _{cn} (kA)	4
Rated impulse withstand voltage U _{imp} U _{imp} (1.2/50) (kV)	4
Dielectric test voltage	2kV (50/60Hz, 1 min)
Trip type	Thermal magnetic Trip
Trip curve	C(5I _n ~10I _n), D(10I _n ~14I _n)
Accessories	Have
Mechanical characteristics	
Electrical life	10000
Mechanical life	20000
Benchmark ambient temperature	30°C
Pollution level	2
Normal operating conditions and installation characteristics	
Terminals	U-shaped terminal block, screw crimp
Maximum wiring capacity (mm ²)	16
Maximum ultimate torque (Nm)	2
Installation category	II, III
Wiring	Top in bottom out, bottom in top out
installation method	Use TH35-7.5 steel or aluminum rail installation

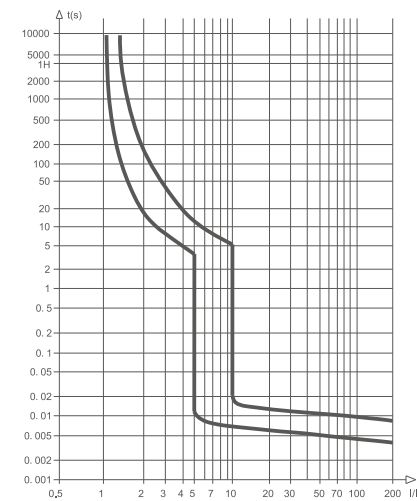
Miniature Circuit Breaker

DZ30-32

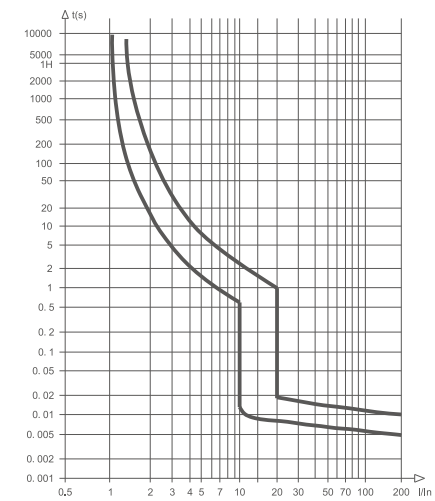
Normal Working Conditions

- Ambient air temperature: - 30°C~ +70°C
- The relative humidity of the air is not more than 95%
- The inclination to the vertical plane does not exceed 5°
- A place without significant shaking and shock vibration
- In a non-explosive medium, and there is no gas and dust (including conductive dust) in the medium that is sufficient to corrode metals and damage insulation

Tripping Characteristic Curve



C Curve



D Curve

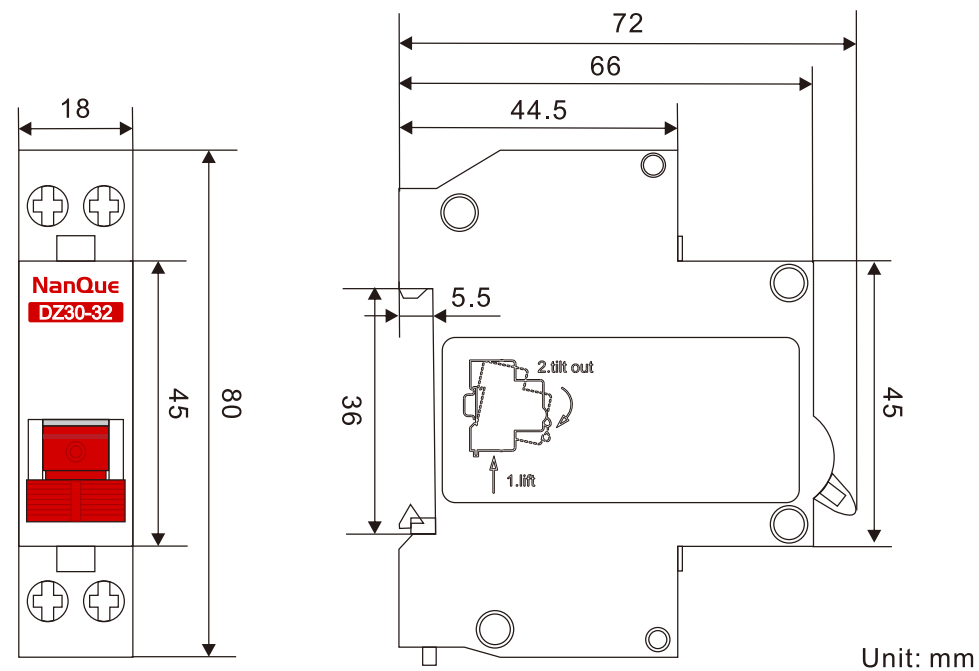
Different ambient temperature current correction coefficient

Ambient temperature °C	-30	-20	-10	0	10	20	30	40	50	60	70
Current correction factor	1.3	1.25	1.2	1.15	1.1	1.05	1	0.95	0.9	0.85	0.8

Product Size

Miniature Circuit Breaker

DZ30-32



Connecting Cable

Current	Recommended cable cross-sectional area	Maximum wiring capacity
1~6A	1mm ²	16mm ²
10A	1.5mm ²	
16~20A	2.5mm ²	
25A	4mm ²	
32A	6mm ²	

Order Introduction

1. The user should indicate the product model, tripping type, rated current, number of poles, accessories and quantity of the circuit breaker when ordering.
2. For example: DZ47-63D circuit breaker 2P C63A 200 pieces.
3. If the user has special requirements, such as customized printing, it can be negotiated separately.

Appendix I

Product selection datasheet



1P+N

Product Model	Poles	Voltage	Current	Order Code	Customized
DZ30-32	1P+N	AC230V	1A	NQPD-0105-1PNAC2001	YES
	1P+N	AC230V	2A	NQPD-0105-1PNAC2002	YES
	1P+N	AC230V	3A	NQPD-0105-1PNAC2003	YES
	1P+N	AC230V	4A	NQPD-0105-1PNAC2004	YES
	1P+N	AC230V	5A	NQPD-0105-1PNAC2005	YES
	1P+N	AC230V	6A	NQPD-0105-1PNAC2006	NO
	1P+N	AC230V	10A	NQPD-0105-1PNAC2007	NO
	1P+N	AC230V	16A	NQPD-0105-1PNAC2008	NO
	1P+N	AC230V	20A	NQPD-0105-1PNAC2009	NO
	1P+N	AC230V	25A	NQPD-0105-1PNAC2010	NO
	1P+N	AC230V	32A	NQPD-0105-1PNAC2011	NO

Remark:

- 1, "Customized products" (gray marked), cannot be ordered directly, you need to determine the quantity, price and order cycle before ordering,
- 2, Customized products does not support returns and exchanges.