

NanQue®



NQB2LE-80K
Leacakge Circuit Breaker

New Direction



Leackage Circuit Breaker

NQB2LE-80K

Product Introdutin

NQB2LE-80K leakage circuit breaker is suitable for AC 50/60Hz, rated working voltage 230V~400V, rated current up to 63A line, mainly consists of zero sequence current transformer, electronic component board, leakage circuit breaker and overload short circuit protection function , It can also increase the overvoltage and undervoltage protection function according to the needs of users, which is used to protect people from indirect contact and overcurrent protection to buildings and lines for similar purposes. It can also provide protection against fires caused by ground faults that persist due to inoperative overcurrent protection devices. The leakage circuit breaker with overvoltage protection can also protect the overvoltage caused by the grid fault. The product has a toggle button, which can turn off the leakage protection function when temporarily using electricity under maintenance or confirmation of safety. It only provides overload and short-circuit protection, and the leakage protection function is turned on after the maintenance is completed.

The NQB2LE-80K new leakage circuit breaker has been increasingly used in low-voltage power distribution systems as backup protection for ground faults, direct contact, and indirect contact electric shock. This product is mainly used for the protection of architectural lighting and power distribution systems, and meets the requirements of IEC61009-1 standards.

Protection and functions:

- Leackage protection
- Short circuit protection
- Overload protection
(overcurrent protection)
- Isolation function

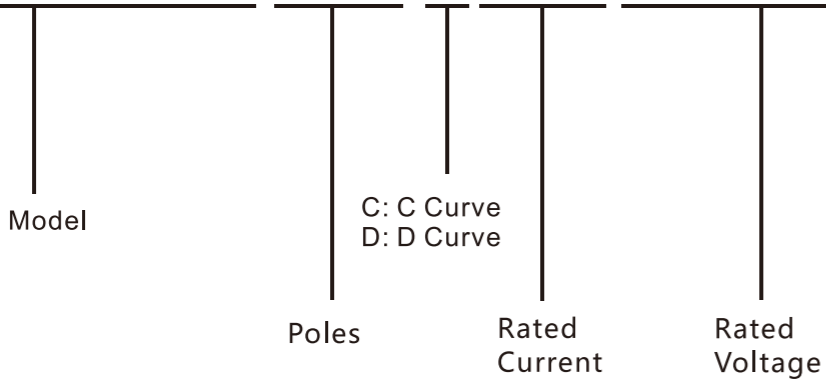


Leakage Circuit Breaker

NQB2LE-80K

Model Meaning

NQB2LE-80K-1PN-C63A-AC230V



Technical Parameters

Model	NQB2LE-80K
Electrical characteristics	
Poles	1P+N, 3P+N
Rated current I _e (A)	10, 16, 20, 25, 32, 40, 50, 63
Rated voltage U _e (V)	AC110V(1P+N), AC230(1P+N), AC400(3P+N)
Rated insulation voltage U _i (V)	500
Rated impulse withstand voltage U _{imp} (kV)	4
Rated residual working current (mA)	15mA, 30mA, 50mA, 100mA, 300mA, 500mA
Rated residual non-operating current	0.5I _{Δn}
Rated residual making and breaking capacity I _{Δm} (A)	630
Residual current characteristics	Ac
Overvoltage action range(V)	280V±14
Rated short-circuit breaking capacity I _{cn} (kA)	6
Tripping characteristic curve	C(5I _n ~10I _n); D(10I _n ~14I _n)

Leakage Circuit Breaker

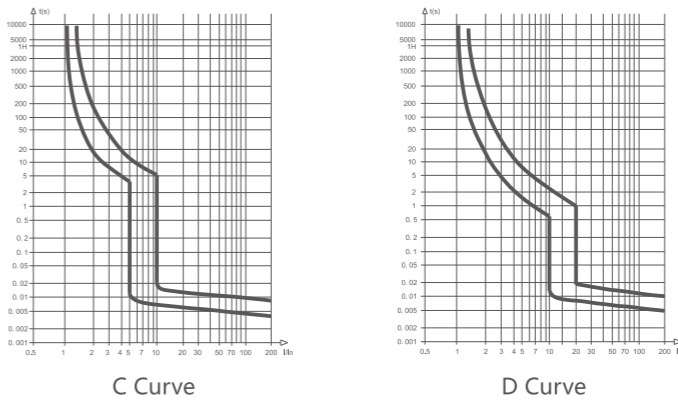
NQB2LE-80K

Mechanical properties	
Electrical life	10000
Mechanical life	20000
Mechanical life	2
Normal operating conditions and installation characteristics	
Terminals	Screw crimp
Maximum wiring capacity (mm ²)	25
Maximum ultimate torque (Nm)	2.5
Installation category	II, III
Wiring	Can be wired top and bottom
Accessories can be installed	-

Normal Working Conditions

- Ambient air temperature: - 30°C~+70°C
- The relative humidity of the air is not more than 95%
- The inclination to the vertical plane does not exceed 5°
- A place without significant shaking and shock vibration
- In a non-explosive medium, and there is no gas and dust (including conductive dust) in the medium that is sufficient to corrode metals and damage insulation

Tripping Characteristic Curve

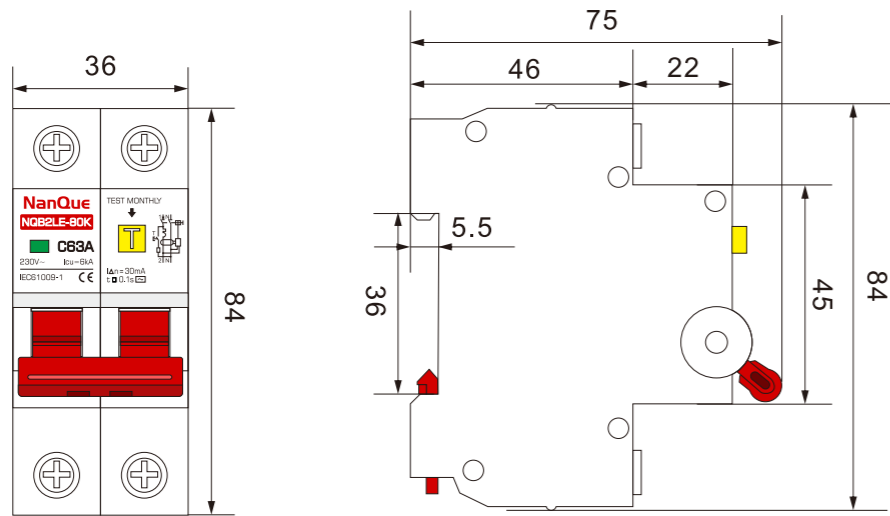


Leakage Circuit Breaker NQB2LE-80K

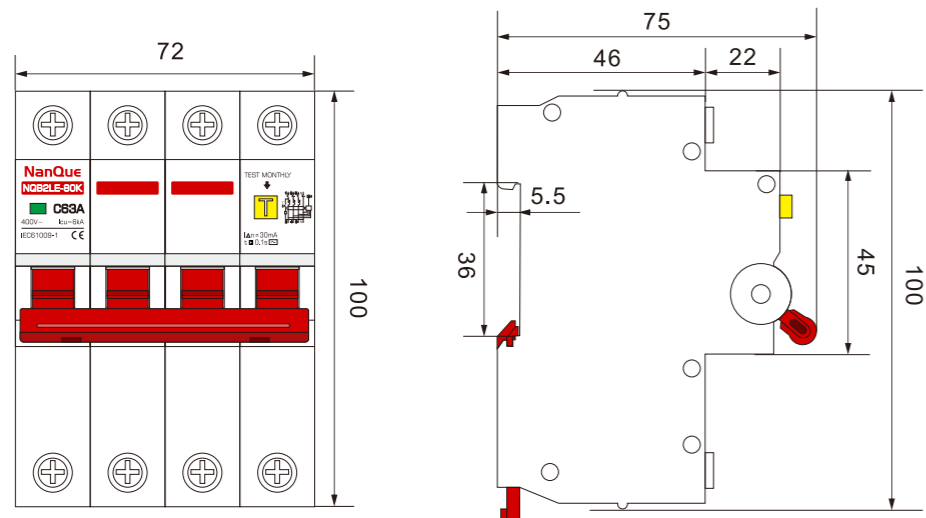
Different ambient temperature current correction coefficient

Ambient temperature°C	-30	-20	-10	0	10	20	30	40	50	60	70
Current correction factor	1.3	1.25	1.2	1.15	1.1	1.05	1	0.95	0.9	0.85	0.8

Product Size



1P+N



3P+N

Unit: mm

Leakage Circuit Breaker NQB2LE-80K

Connecting Cable

Current	Recommended cable cross-sectional area	Maximum Wiring Capacity
1~6A	1mm ²	25mm ²
10A	1.5mm ²	
16~20A	2.5mm ²	25mm ²
25A	4mm ²	
32A	6mm ²	25mm ²
40~50A	10mm ²	
63A	16mm ²	25mm ²
80A	25mm ²	

Order Introduction

1. The user should indicate the product model, tripping type, rated current, number of poles, accessories and quantity of the circuit breaker when ordering.
2. For example: NQB2LE-80K circuit breaker 1P+N C63A 30mA 200 pieces.
3. If the user has special requirements, such as customized printing, it can be negotiated separately.

Appendix I

Product selection datasheet



1P+N



3P+N

Product Model	Poles	Voltage	Current	Order Code	Customized
NQB2LE-80K	1PN	AC230V	10A	NQPD-0202-1PNAC2001	NO
	1PN	AC230V	16A	NQPD-0202-1PNAC2002	NO
	1PN	AC230V	20A	NQPD-0202-1PNAC2003	NO
	1PN	AC230V	25A	NQPD-0202-1PNAC2004	NO
	1PN	AC230V	32A	NQPD-0202-1PNAC2005	NO
	1PN	AC230V	40A	NQPD-0202-1PNAC2006	NO
	1PN	AC230V	50A	NQPD-0202-1PNAC2007	NO
	1PN	AC230V	63A	NQPD-0202-1PNAC2008	NO
	1PN	AC230V	80A	NQPD-0202-1PNAC2009	NO
	3PN	AC400V	10A	NQPD-0202-3PNAC2001	NO
	3PN	AC400V	16A	NQPD-0202-3PNAC2002	NO
	3PN	AC400V	20A	NQPD-0202-3PNAC2003	NO
	3PN	AC400V	25A	NQPD-0202-3PNAC2004	NO
	3PN	AC400V	32A	NQPD-0202-3PNAC2005	NO
	3PN	AC400V	40A	NQPD-0202-3PNAC2006	NO
	3PN	AC400V	50A	NQPD-0202-3PNAC2007	NO
	3PN	AC400V	63A	NQPD-0202-3PNAC2008	NO
	3PN	AC400V	80A	NQPD-0202-3PNAC2009	NO
	1PN	AC110V	10A	NQPD-0202-1PNAC6001	NO
	1PN	AC110V	16A	NQPD-0202-1PNAC6002	NO
	1PN	AC110V	20A	NQPD-0202-1PNAC6003	NO
	1PN	AC110V	25A	NQPD-0202-1PNAC6004	NO

Product Model	Poles	Voltage	Current	Order Code	Customized
NQB2LE-80K	1PN	AC110V	32A	NQPD-0202-1PNAC6005	NO
	1PN	AC110V	40A	NQPD-0202-1PNAC6006	NO
	1PN	AC110V	50A	NQPD-0202-1PNAC6007	NO
	1PN	AC110V	63A	NQPD-0202-1PNAC6008	NO
	1PN	AC110V	80A	NQPD-0202-1PNAC6009	NO
	3PN	AC220V	10A	NQPD-0202-3PNAC1001	NO
	3PN	AC220V	16A	NQPD-0202-3PNAC1002	NO
	3PN	AC220V	20A	NQPD-0202-3PNAC1003	NO
	3PN	AC220V	25A	NQPD-0202-3PNAC1004	NO
	3PN	AC220V	32A	NQPD-0202-3PNAC1005	NO
	3PN	AC220V	40A	NQPD-0202-3PNAC1006	NO
	3PN	AC220V	50A	NQPD-0202-3PNAC1007	NO
	3PN	AC220V	63A	NQPD-0202-3PNAC1008	NO
	3PN	AC220V	80A	NQPD-0202-3PNAC1009	NO

Remark:

- 1, "Customized products" (gray marked), cannot be ordered directly, you need to determine the quantity, price and order cycle before ordering,
- 2, Customized products does not support returns and exchanges.