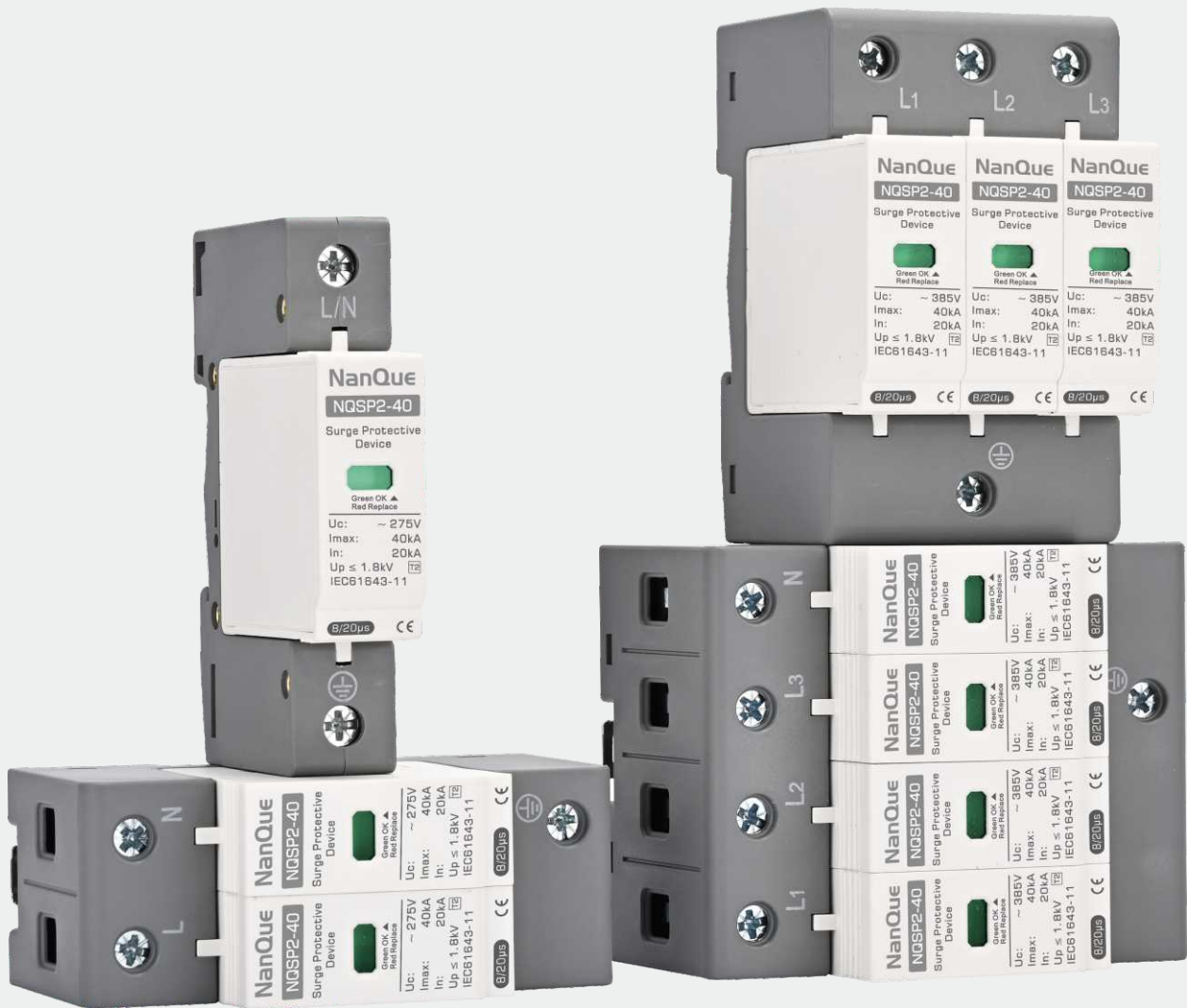


NanQue®



NQSP2

Surge Protector

AC275V/385V

Series

Seiko manufacturing, quality can be seen



Product Introduction

NQSP2 series large-flow modular surge protector is suitable for TT, IT, TN-S, TN-C, TN-C-S and other power supply systems with AC 50/60Hz and rated voltage 230V/400V. The voltage is protected, and it can discharge 100KA lightning strike current. The shell is designed to be installed on a 35mm electrical rail. The disconnecting device can automatically disconnect it from the grid, and the status indicator window turns from green to red at the same time.

The surge protector meets the requirements of GB18802.1 and IEC61643-11 standards.



Model Meaning

NQSP2-10C-1P-10KA-X

Model

Poles

Empty: without accessories
X: remote signaling
SG: Sound and light alarm
NPE: gap (gas discharge tube)

Nominal discharge current (8/20μs)



Normal Working Conditions

- Ambient air temperature: -40°C~+85°C
- The relative humidity of the air is not more than 95%
- The inclination to the vertical plane does not exceed 5°
- Without significant shaking and shock vibration
- Non-explosive medium, and there is no gas and dust (including conductive dust) in the medium that is sufficient to corrode metals and damage insulation





Technical Parameters



Specification	NQSP2-10 NQSP2-20	NQSP2-40	NQSP2-60 NQSP2-80 NQSP2-100
Nominal discharge current(8/20μs)In(kA)	5 10	20	30 40 60
Nominal discharge current(8/20μs)Imax(kA)	10 20	40	60 80 100
Voltage protection levelUp(kV)	1.0-1.5	1.5~2.2	2.0-3.0
Response time(ns) I	<25		
Test classification	II level		
IP grade	Ip20		
Environmental limit temperature	-40°C~+85°C		
Installation type	Electrical rail		
Shell material	Enhanced flame retardant PBT		
Shell color	White grey		
Recommended fuse or circuit breaker(A)	10-16	16~25	40~63
Recommended Wire Diameter	2.5~10	4~16	6~25
Ground PE	4~10 Double color	4~16 Double color	6~25 Double color

Note: Can expand the variety with alarm (add 8 to the tail number) or with remote signaling contact (add X to the tail number)

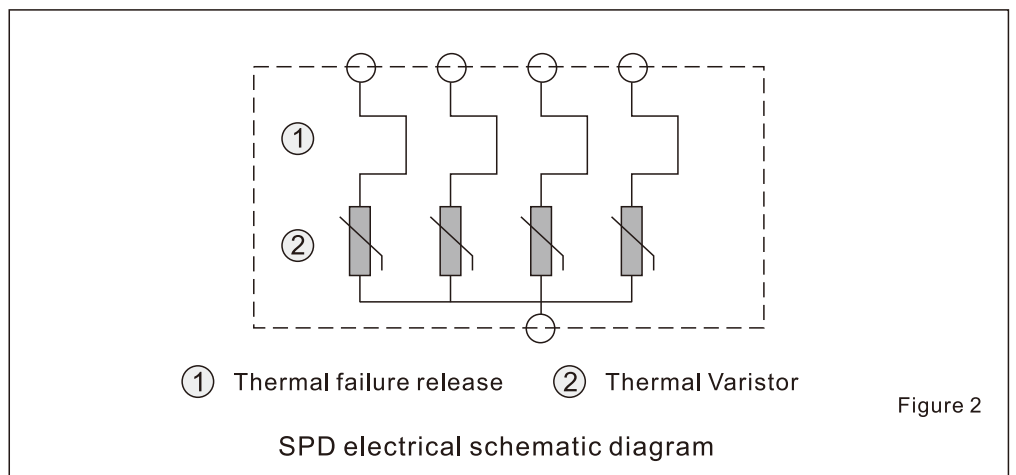
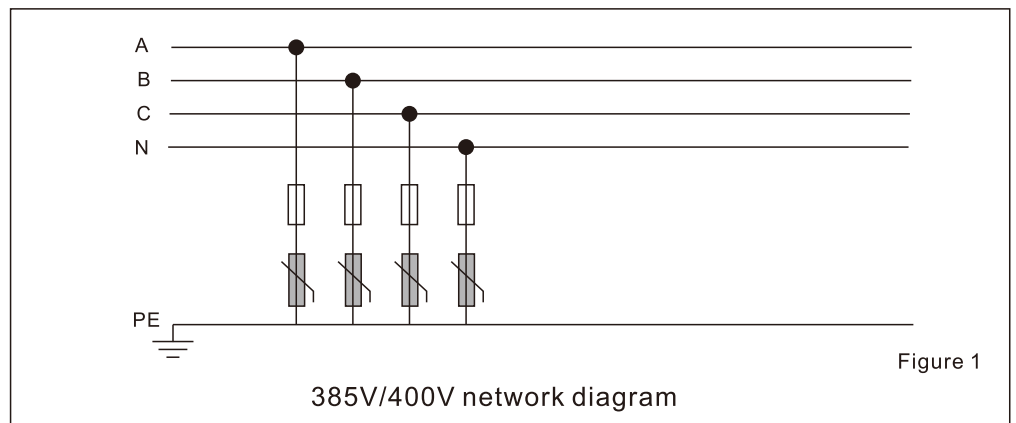
Product Selection

Model	Poles	Current	Shell
NQSP2	1P 	10kA, 20kA, 40kA 60kA, 80kA, 100kA	White grey
	2P 		
	3P 		
	4P 		

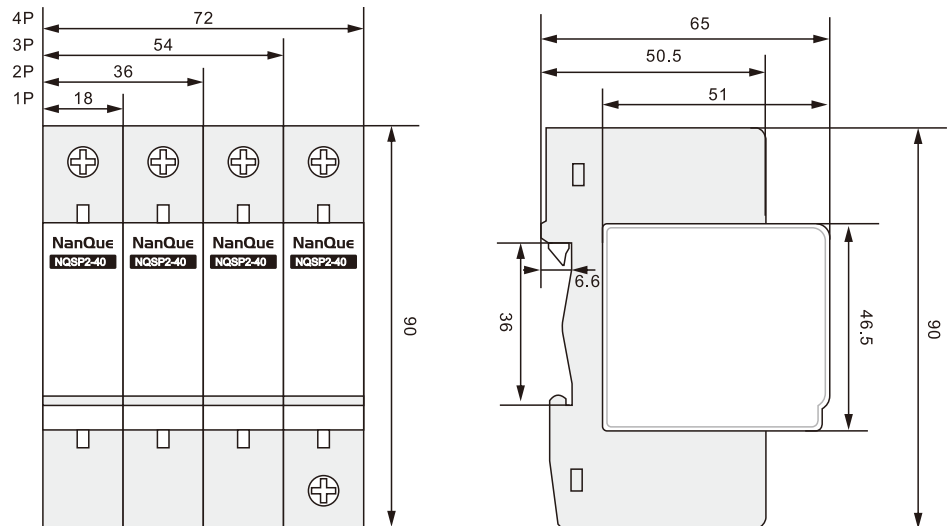


Main Structure and Working Principle

In the three-phase four-wire system, a protector is connected between the three phase lines and one neutral line to the ground line (see Figure 1). Under normal circumstances, the SPD is in a state of high resistance. When there is a surge overvoltage in the power grid due to lightning strikes or other reasons, the SPD will be turned on immediately in nanoseconds, and the surge overvoltage will be introduced into the ground, thus protecting the power grid. electrical equipment. When the surge voltage passes through the SPD and disappears, the SPD changes to a high-resistance state again, so as not to affect the normal operation of the power grid. See the electrical schematic diagram of the surge protector (Figure 2)



Product Size



Surge Protector Accessories

■ Fail disengagement device

The SPD module is equipped with a failure release device. When the protector is overheated or broken down, the failure release device can automatically disconnect it from the grid and give an indication signal at the same time. When the protector is normal, the sign is green, and when the protector is out of order, the sign is red. (SPD module can be replaced under the condition of working voltage)

■ Alarm

The alarm is powered by AC230V. When the SPD is working normally, the indicator light is green, the normally open contact is closed, and the normally closed contact is disconnected. Sound and light alarm function: When the SPD module fails, the alarm will beep, and at the same time, the green light in normal operation will be turned into red light. If the maintenance personnel press the stop button, the beeping will temporarily stop (but the red light will continue to display), if the fault is still not eliminated after 24 hours, the alarm will beep again.

■ Remote signaling contacts

SPD can be made into varieties with remote signaling contacts. The remote signaling contact is a normally open contact. If one or more modules of the SPD fail, the contacts will be closed and a fault message will be sent. Remote signaling contact rating: AC36V, 1A.



Order Instructions

1. The user should indicate the product model, rated current, number of poles, accessories and quantity of the circuit breaker when ordering.
2. For example: NQSP2-40 surge protector 2P 40KA 200 pieces.
3. If the user has special requirements, such as customized printing, it can be negotiated separately.

Appendix I

Product selection datasheet



1P



2P



3P



4P

Model	Poles	Voltage	Current	Order Code	Customized
NQSP2	1P	AC275V	10KA	NQPD-NQSP21PAC8001	No
	1P	AC275V	20KA	NQPD-NQSP21PAC8002	No
	1P	AC275V	40KA	NQPD-NQSP21PAC8003	No
	1P	AC275V	60KA	NQPD-NQSP21PAC8004	No
	1P	AC275V	80KA	NQPD-NQSP21PAC8005	No
	1P	AC275V	100KA	NQPD-NQSP21PAC8006	No
	2P	AC275V	10KA	NQPD-NQSP22PAC8001	No
	2P	AC275V	20KA	NQPD-NQSP22PAC8002	No
	2P	AC275V	40KA	NQPD-NQSP22PAC8003	No
	2P	AC275V	60KA	NQPD-NQSP22PAC8004	No
	2P	AC275V	80KA	NQPD-NQSP22PAC8005	No
	2P	AC275V	100KA	NQPD-NQSP22PAC8006	No
	3P	AC385V	10KA	NQPD-NQSP23PAC10001	No
	3P	AC385V	20KA	NQPD-NQSP23PAC10002	No
	3P	AC385V	40KA	NQPD-NQSP23PAC10003	No
	3P	AC385V	60KA	NQPD-NQSP23PAC10004	No
	3P	AC385V	80KA	NQPD-NQSP23PAC10005	No
	3P	AC385V	100KA	NQPD-NQSP23PAC10006	No
	4P	AC385V	10KA	NQPD-NQSP24PAC10001	No
	4P	AC385V	20KA	NQPD-NQSP24PAC10002	No
	4P	AC385V	40KA	NQPD-NQSP24PAC10003	No

Model	Poles	Voltage	Current	Order Code	Customized
NQSP2	4P	AC385V	60KA	NQPD-NQSP24PAC10004	No
	4P	AC385V	80KA	NQPD-NQSP24PAC10005	No
	4P	AC385V	100KA	NQPD-NQSP24PAC10006	No

illustrate:

- 1, "Customized products" (gray marked), cannot be ordered directly, you need to determine the quantity, price and order cycle before ordering,
- 2, Customized products does not support returns and exchanges.